

4

3

SIZE
B

SC2024

REV
-

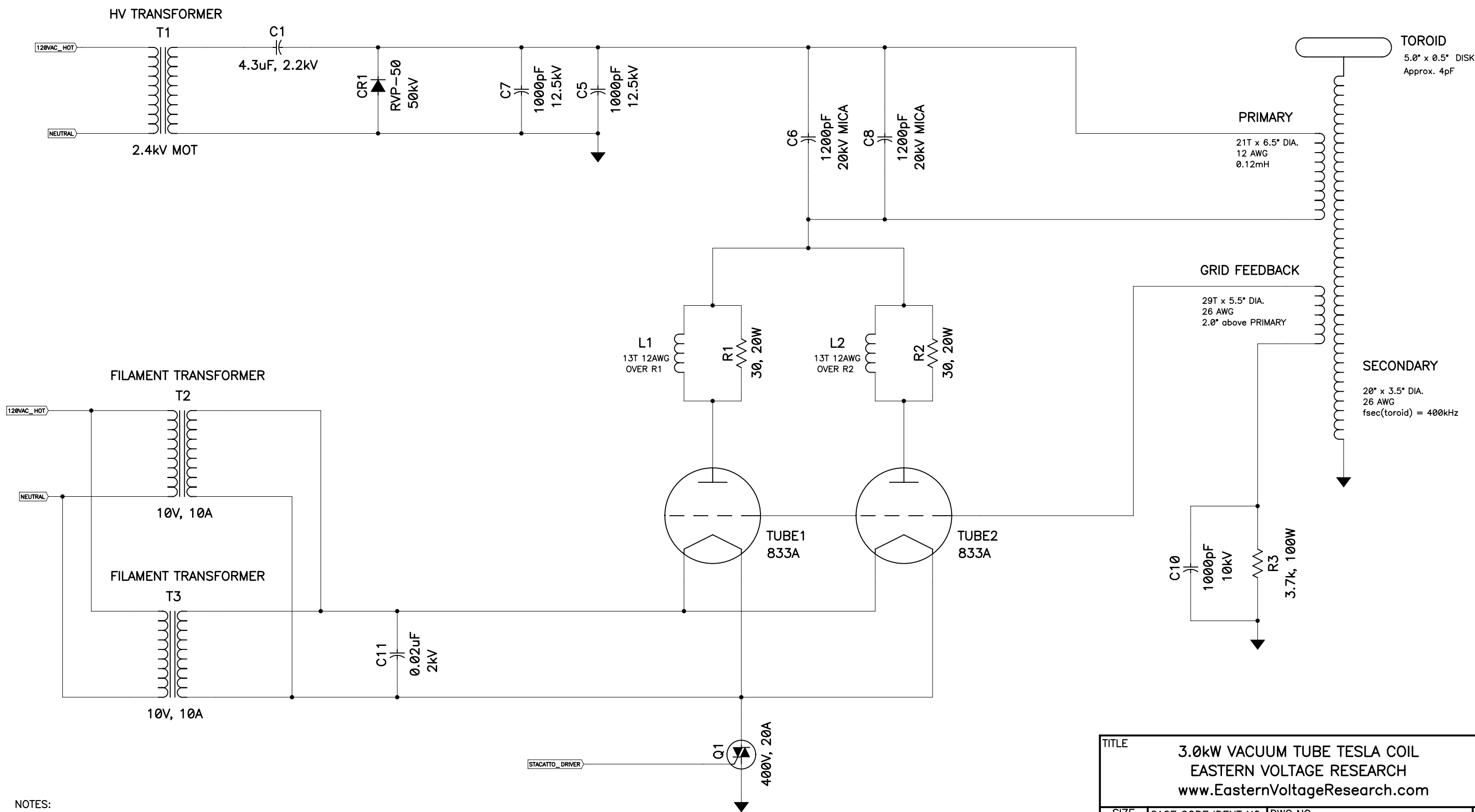
2

1

THIS DOCUMENT MAY BE DISTRIBUTED FREELY.

REVISIONS

| LTR | DESCRIPTION | ZONE | ENG | DWG | DATE | APPROVED |
|-----|--------------|------|-----|-----|------|----------|
| A | FINAL DESIGN | | DHM | | | |



- NOTES:
1. C1 = (5) 0.86uF, 2.2kV MICROWAVE OVEN CAPACITORS

| | | | |
|---|---------------------|-------------------|--------------|
| TITLE 3.0kW VACUUM TUBE TESLA COIL EASTERN VOLTAGE RESEARCH www.EasternVoltageResearch.com | | | |
| SIZE B | CAGE CODE IDENT NO. | DWG NO. SC2024 | REV - |
| SCALE NTS | ACT WT | CALC WT | SHEET 1 OF 1 |

ACCEL CAD file: SC2024

4

3

2

1