

5

4

3

SIZE
C

SC2045A

REV
-

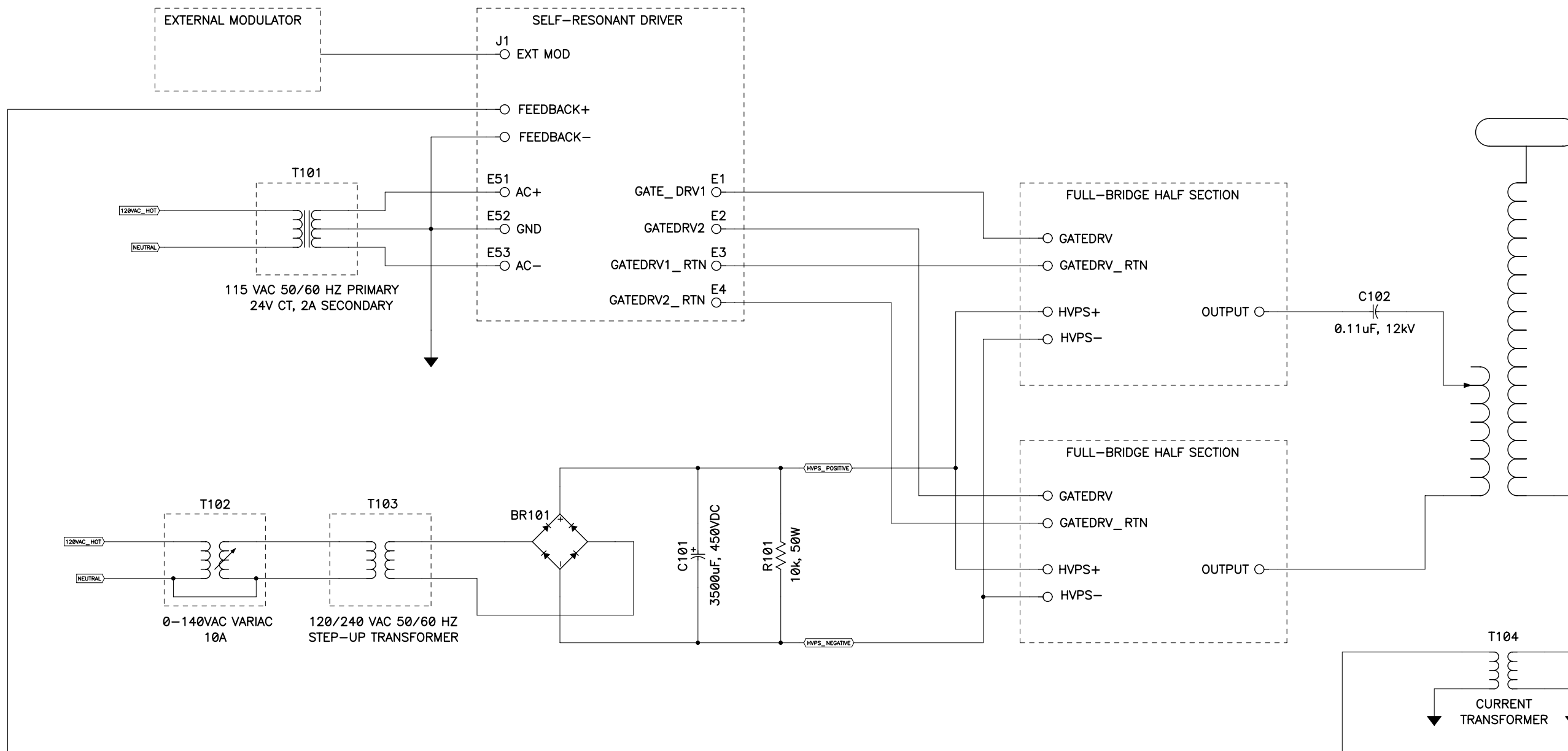
2

1

EASTERN VOLTAGE RESEARCH PROPRIETARY INFORMATION

REVISIONS

LTR	DESCRIPTION	ZONE	ENG	DWG	DATE	APPROVED
-	INITIAL RELEASE		DHM			20" x 5" TOROID



NOTES:
1.

TITLE EASTERN VOLTAGE RESEARCH DRSSC II SYSTEM SCHEMATIC					
SIZE C	CAGE CODE IDENT NO.	DWG NO. SC2045A	REV -		
SCALE NTS	ACT WT	CALC WT	SHEET 1 OF 1		
ACCEL CAD file: SC2045					

5

4

3

2

1

ACCEL CAD file: SC2045