

5

4

3

SIZE
C

SC2045

REV
A

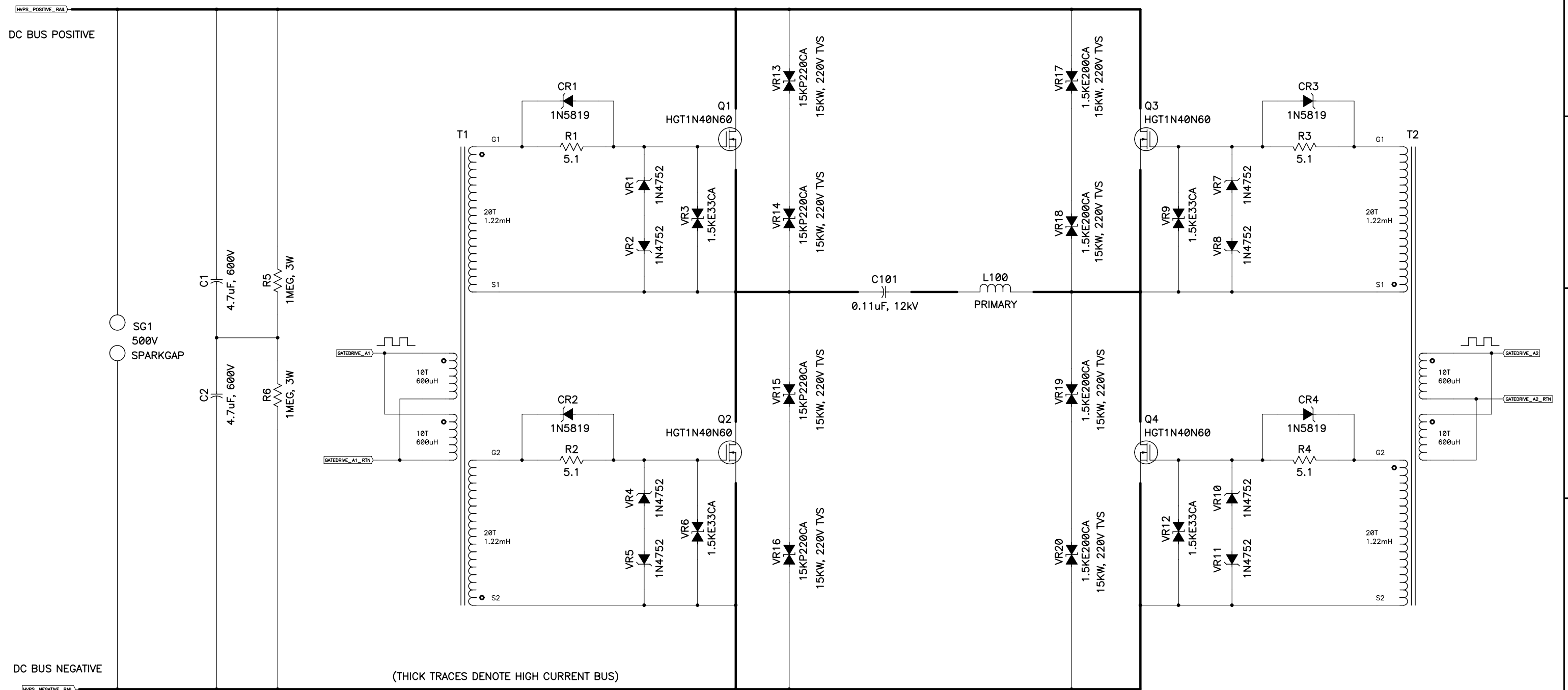
2

1

THIS DOCUMENT MAY BE DISTRIBUTED FREELY.

REVISIONS

LTR	DESCRIPTION	ZONE	ENG	DWG	DATE	APPROVED
A	AS BUILT CONFIGURATION		DHM		05/14/04	



(THICK TRACES DENOTE HIGH CURRENT BUS)

NOTES:

- T1, T2 TOROID CORES
FAIR-RITE P/N 5978006401
www.fair-rite.com
- VR13-VR20 ARE PRO-TEK P/N 15KP220CA
TRANSIENT VOLTAGE SUPPRESSORS FROM
www.protekdevices.com
- C1 AND C2 ARE GE 41L TYPE POLYPROPYLENE
CAPACITORS.
- T1 AND T2 USE PARALLELED PRIMARY WINDINGS TO MAINTAIN
HIGH COUPLING BETWEEN PRIMARY AND SECONDARY.

FULL BRIDGE
POWER SECTION

GATE TRANSFORMERS (T1, T2)

FAIR-RITE 5978006401
CORE MATERIAL TYPE 78
PRIMARY WINDING 10T // 10T
SECONDARY WINDINGS 20T
AL = 2885nH
L = AL x N^2
.870" O.D x .540" I.D. x .500" HT.

TITLE		EASTERN VOLTAGE RESEARCH SSTC FULL-BRIDGE CIRCUIT	
SIZE C	CAGE CODE IDENT NO.	DWG NO. SC2045	REV A
SCALE NTS	ACT WT	CALC WT	SHEET 1 OF 3
ACCEL CAD file: SC2045			

5

4

3

2

1

5

4

3

SIZE
C

SC2045

REV
-

2

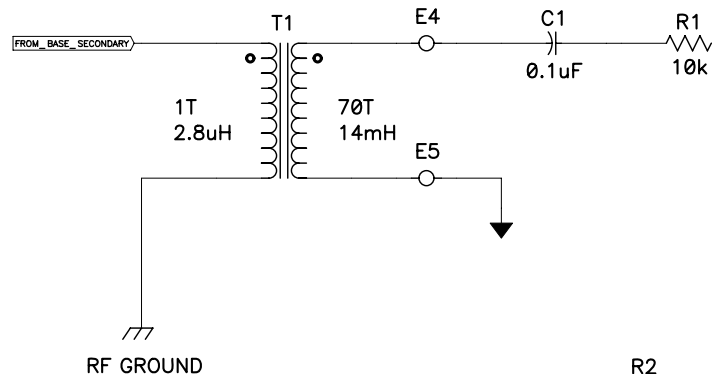
1

EASTERN VOLTAGE RESEARCH PROPRIETARY INFORMATION

REVISIONS

LTR	DESCRIPTION	ZONE	ENG	DWG	DATE	APPROVED
-	INITIAL RELEASE		DHM			

BASE CURRENT FEEDBACK



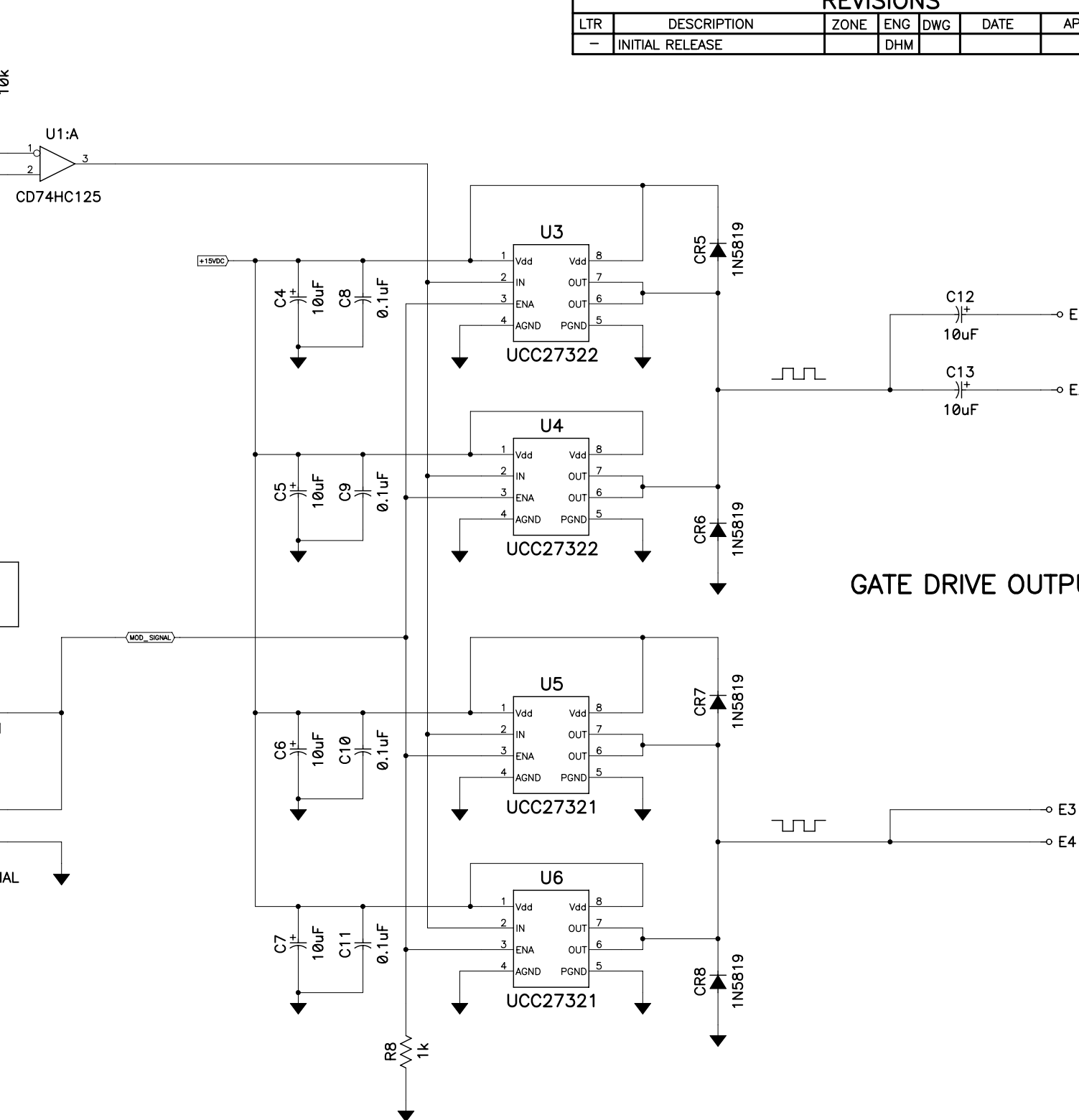
PULSE MODULATOR

MODULATOR OPERATION
 PRF RANGE: 60Hz to 300Hz
 PW RANGE: 58uS to 285uS

CURRENT TRANSFORMER (T1)
 FAIR-RITE 5978006401
 CORE MATERIAL TYPE 78
 PRIMARY WINDING 1T
 SECONDARY WINDINGS 70T
 AL = 2885nH
 L = AL x N^2
 .870" O.D x .540" I.D. x .500" HT.

DIGITAL POWER CONNECTIONS

- NOTES:
 1. 1N60 GERMANIUM DIODES CAN BE SUBSTITUTED FOR THE 1N90'S.



GATE DRIVE OUTPUTS

TITLE EASTERN VOLTAGE RESEARCH BASE CURRENT FEEDBACK SELF-RESONANT DRIVER					
SIZE C	CAGE CODE IDENT NO.	DWG NO. SC2045	REV -		
SCALE NTS	ACT WT	CALC WT	SHEET 2 OF 3		
ACCEL CAD file: SC2045					

5

4

3

2

1

ACCEL CAD file: SC2045

5

4

3

SIZE
C

SC2045

REV
-

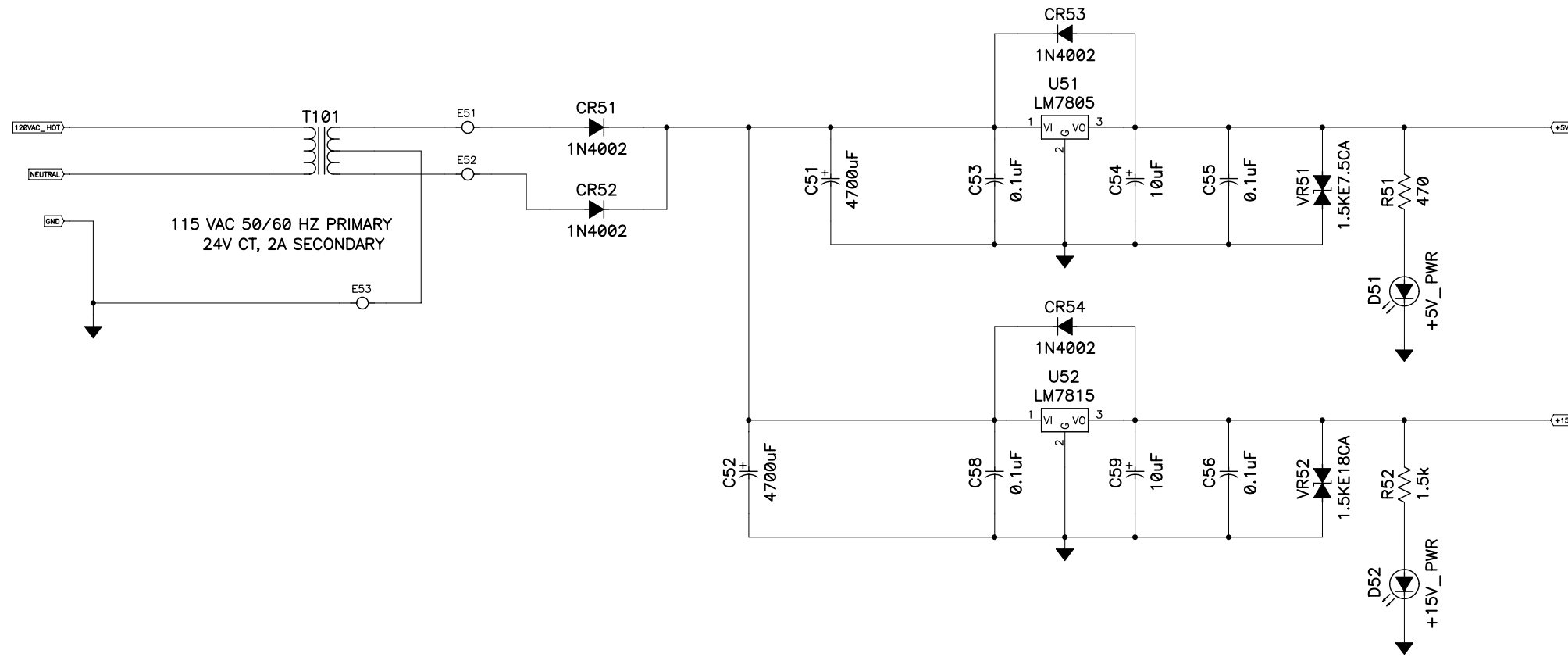
2

1

EASTERN VOLTAGE RESEARCH PROPRIETARY INFORMATION

REVISIONS

LTR	DESCRIPTION	ZONE	ENG	DWG	DATE	APPROVED
-	INITIAL RELEASE		DHM			



LOW VOLTAGE POWER SUPPLY

NOTES:
1.

TITLE EASTERN VOLTAGE RESEARCH LOW VOLTAGE POWER SUPPLY						
SIZE C	CAGE CODE IDENT NO.	DWG NO. SC2045			REV -	
SCALE NTS	ACT WT	CALC WT	SHEET 3 OF 3			
1				ACCEL CAD file: SC2045		

5

4

3

2

1